



reddot winner 2023

FRAMELESS DIFFUSERS
TECHNICAL CATALOGUE

ABOUT US

The original idea makes design distinctive, the function makes it work and quality adds value

Serge Zuev



reddot winner 2023

We are a proud winner of a Red Dot Design Award

The internationally-recognised Red Dot Design Awards have been held annually for over 60 years, and recognise the best global contributions to design, assessing function, aesthetics, usage and responsibility.

It is one of the world's largest design competitions. The Red Dot Label has become established internationally as one of the most sought-after marks of quality for good design.

More information on <https://www.red-dot.org>

PRODUCING UNIQUE GYPSUM VENT DIFFUSERS

At Ventmann, we engineer and manufacture innovative, modern vent diffusers. And they all incorporate our first-of-its-kind patented gypsum composite, together with refined designs to complement a range of interiors. In our company, we like to say "air has never been so elegant." We hope that for your project, Ventmann vent diffusers will be your choice for air elegance.

OUR PURPOSE

Each of our products is so much more than just another vent diffuser. They are minimalist interior elements that can be integrated discreetly into any interior, or used to accentuate the precise lines and rigid angles of your design.

We work hard to create, produce and supply next generation solutions to our partners and clients. We have three values that all our products meet:

- They are innovative - our diffusers are the first on the market to be made from our special gypsum composite, so they can be frameless and fit any contemporary design. Our philosophy is that modern interiors need modern vents.
- They are sustainable - gypsum is one of the most sustainable and clean materials in use. Furthermore, we follow an environmentally-friendly production process and use ecological packaging.
- They are elegant - we want our diffusers to maintain the integrity of the interior design, completely blending in with wall and ceiling surfaces.

OUR VISION

We grow together with our partners. That is why we always ensure the highest quality standards for our products. We want our distribution partners to have full confidence when assuring their customers that Ventmann diffusers are the best choice. This commitment to partnership and quality is helping us to achieve our ambition of supplying Ventmann diffusers worldwide.

OUR PLANS FOR GROWTH AND DEVELOPMENT

In addition to continuously developing our distribution network, we are also expanding our production capacity as demand grows. We aim to add more patented diffusers as our manufacturing capabilities expand, which will help us to further grow our partner network and ensure the Ventmann brand is a great choice for partners who want to be the first in bringing innovations to the vent diffuser market.



PCIRCLE 100/125

ROUND DIFFUSER „COANDA“



reddot winner 2023

100/125 mm

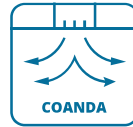
CONNECTION DIAMETER

2,4 kg

WEIGHT WITHOUT PACKAGING (NET)

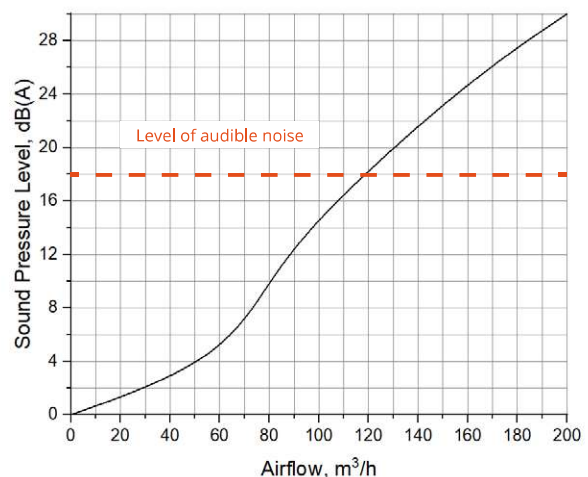
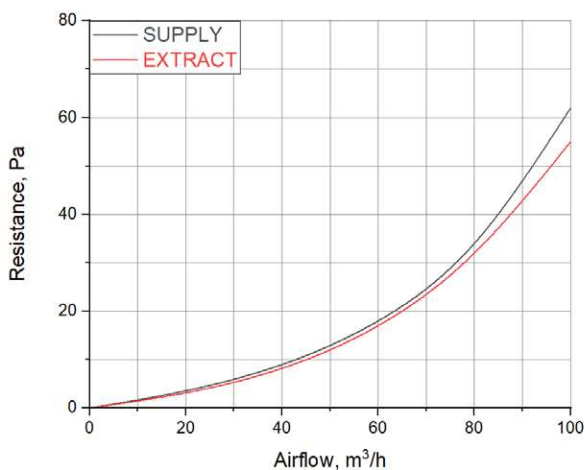
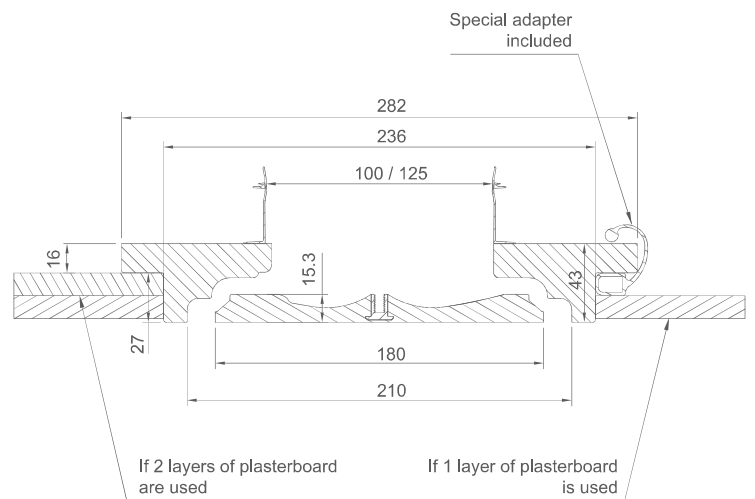
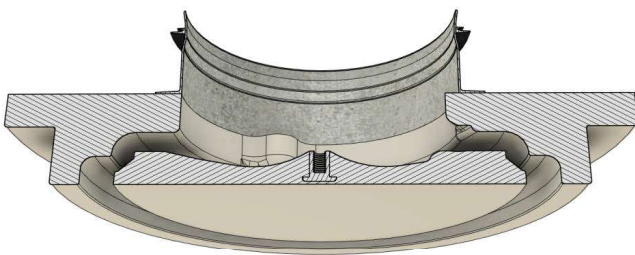
COANDA effect

SPECIAL PATENTED SHAPE



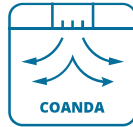
Order code for 100 ø:
PCIRCLE 100
Hole diameter

Order code for 125 ø:
PCIRCLE 125
Hole diameter



PCIRCLE 1601

ROUND DIFFUSER „COANDA“



reddot winner 2023

160 mm

CONNECTION DIAMETER

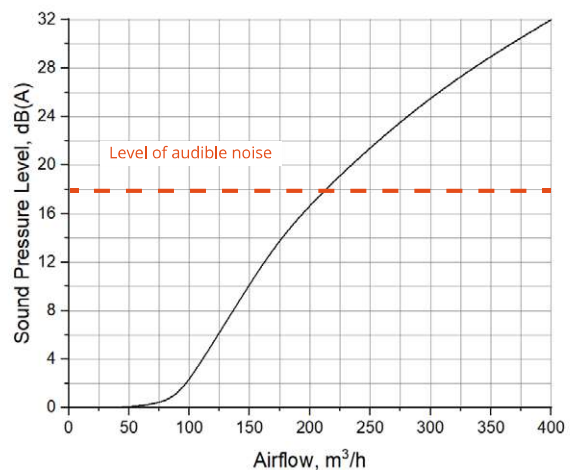
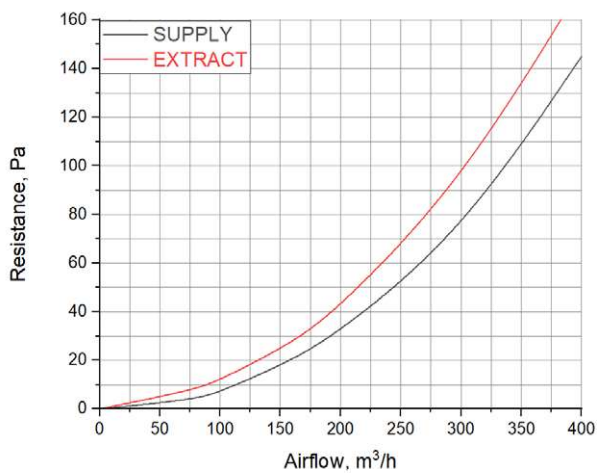
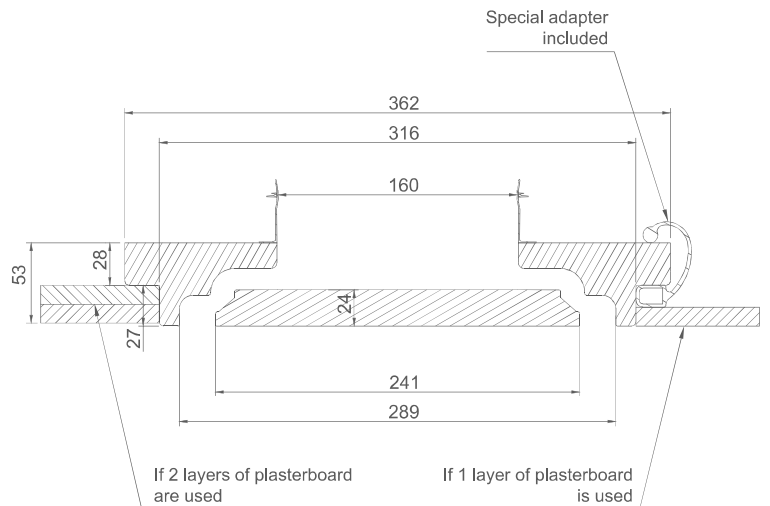
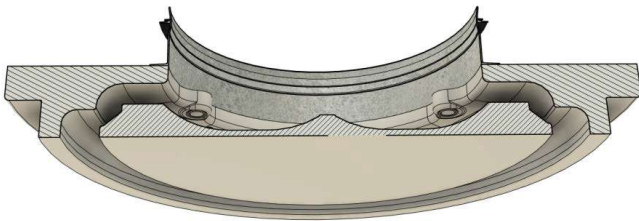
5 kg

WEIGHT WITHOUT PACKAGING (NET)

COANDA effect

SPECIAL PATENTED SHAPE

Order code for 1601 ø:
PCIRCLE 1601
Hole diameter

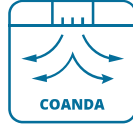


PCIRCLE 1602

ROUND DIFFUSER „COANDA“



Order code for 1602 ø:
PCIRCLE 1602
Hole diameter

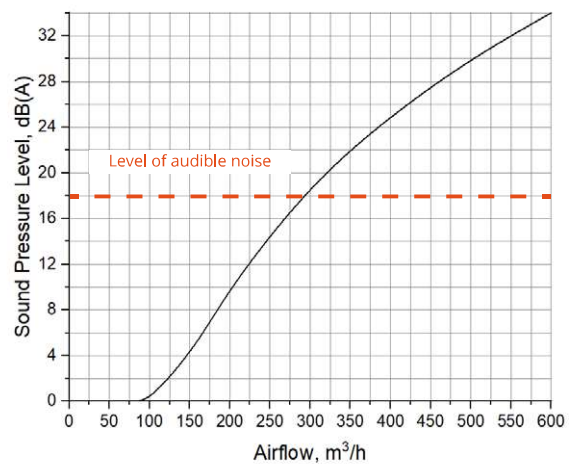
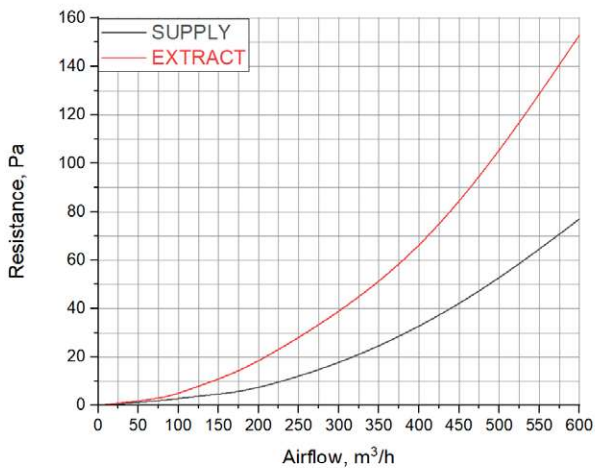
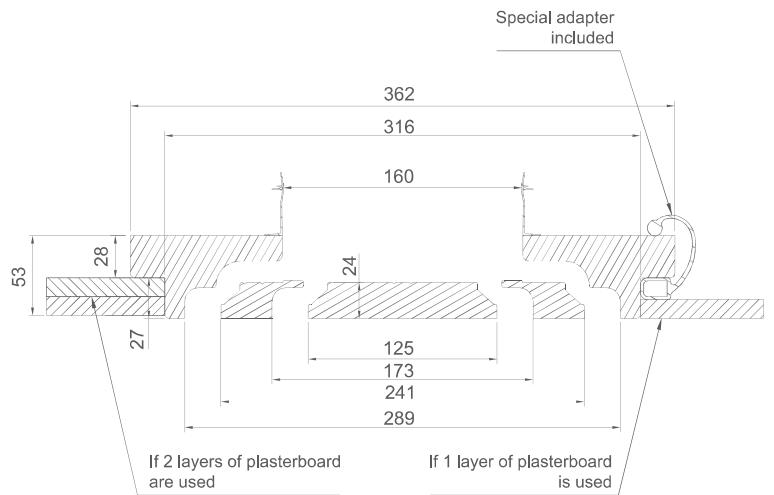
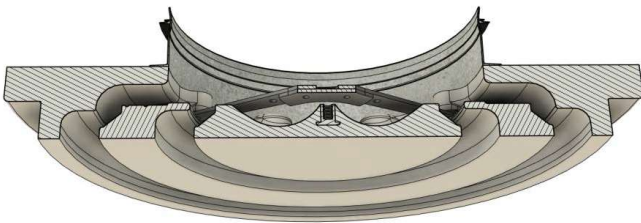


reddot winner 2023

160 mm
CONNECTION DIAMETER

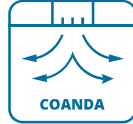
4,85 kg
WEIGHT WITHOUT PACKAGING (NET)

COANDA effect
SPECIAL PATENTED SHAPE



PCIRCLE 2001

ROUND DIFFUSER „COANDA“



reddot winner 2023

200 mm

CONNECTION DIAMETER

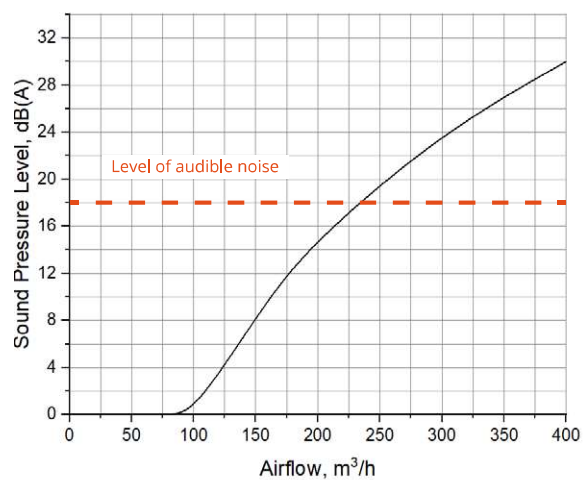
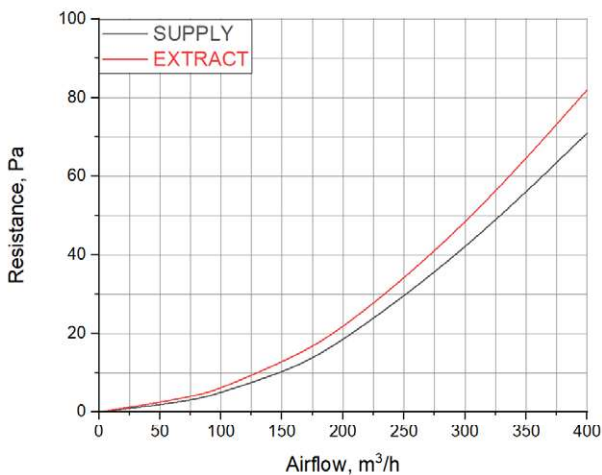
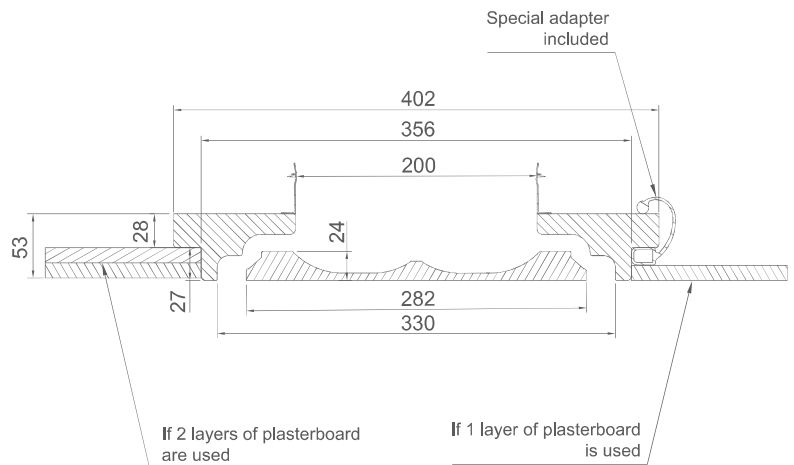
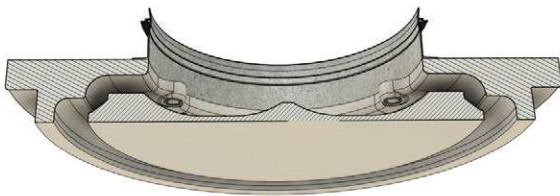
5,75 kg

WEIGHT WITHOUT PACKAGING (NET)

COANDA effect

SPECIAL PATENTED SHAPE

Order code for 2001 ø:
PCIRCLE 2001
Hole diameter

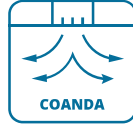


PCIRCLE 2002

ROUND DIFFUSER „COANDA“



Order code for 2002 ø:
PCIRCLE 2002
Hole diameter



reddot winner 2023

200 mm
CONNECTION DIAMETER

5,55 kg
WEIGHT WITHOUT PACKAGING (NET)

COANDA effect
SPECIAL PATENTED SHAPE

